



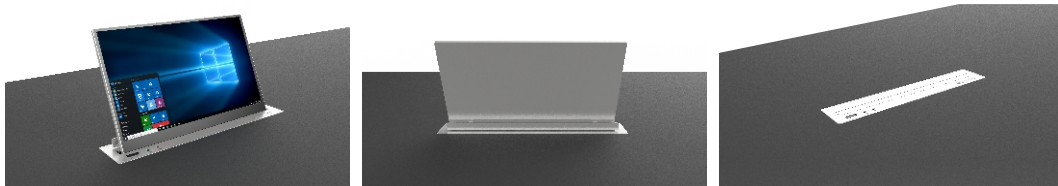
Motorized Retractable Monitor



Keywords

- *Ultra-narrow bezel*
- *Anti-glare treatment*
- *Ergonomic design*
- *Power loop reduces cables under the table*

CE
FCC



Thanks for choosing us,
Please read this instruction carefully before using the device.



Please remove the transportation screws in the back, right, left side of housing and protection foam of the screen before power up to avoid damage to the product!

In order to make sure the device is working properly, please follow below instructions:

- If found any abnormal situation, please cut off the power, plug off the power cord and contact the supplier. To avoid any fire accident, DON'T use device in following situations,
 - If peculiar smell found or fog comes from the product
 - If water or metal parts get inside the product
 - If the housing is deformed or damaged
 - If internal wire is broken
- As the device is high voltage, please DON'T open the housing at random to avoid fire or electric shock.
- DON'T put any conducting liquid on top of the product, to avoid fire or electric shock.
- The product is I type, should be connected to ground.



- Display

| | |
|------------------------|----------------------------|
| screen size | 15.6 inch |
| matrix type | IPS |
| resolution | 1920*1080 |
| brightness | 400cd/ m ² |
| contrast ratio | 800:1 |
| aspect ratio | 16:9 |
| view angle | 85/85/85/85 |
| backlight lifespan | 30000 hours |
| response time (if any) | 30(Typ.)(Tr+Td)ms |
| screen tilt | 0-25° motorized adjustable |
| touch (if any) | 10 point capacity |

- Electronical

| | |
|----------------------|-------------------------|
| signal input | HDMI+HDMI |
| data input | USB 3.0 |
| touch input (if any) | USB touch |
| terminal block | PC switch+signal switch |
| protocol | RS485 |
| power supply | AC 220V 50Hz |
| power consumption | <60W |
| power loop | 600W max. |

- Mechanism

| | |
|-------------------|---|
| cover plate | anodized aluminium |
| finishing | black/silver, matt/brushed customization available |
| G.W. | 13kgs |
| packing dimension | 730*580*185mm |
| temperature | working 0°C ~+50°C, storage -20°C ~+60°C |
| humidity | working ≤ 90%, storage ≤ 90% |

- Accessory

| | |
|------------|---------------------|
| power cord | RS485 control cable |
|------------|---------------------|

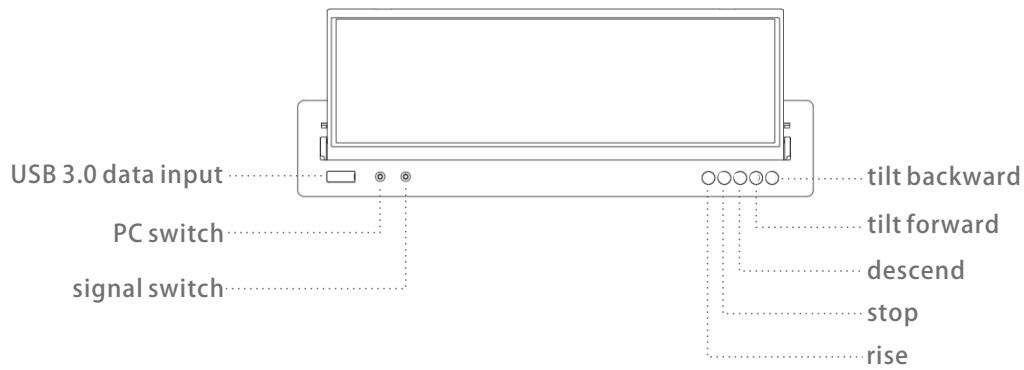
- Control

| | |
|--------|-------|
| manual | RS485 |
|--------|-------|

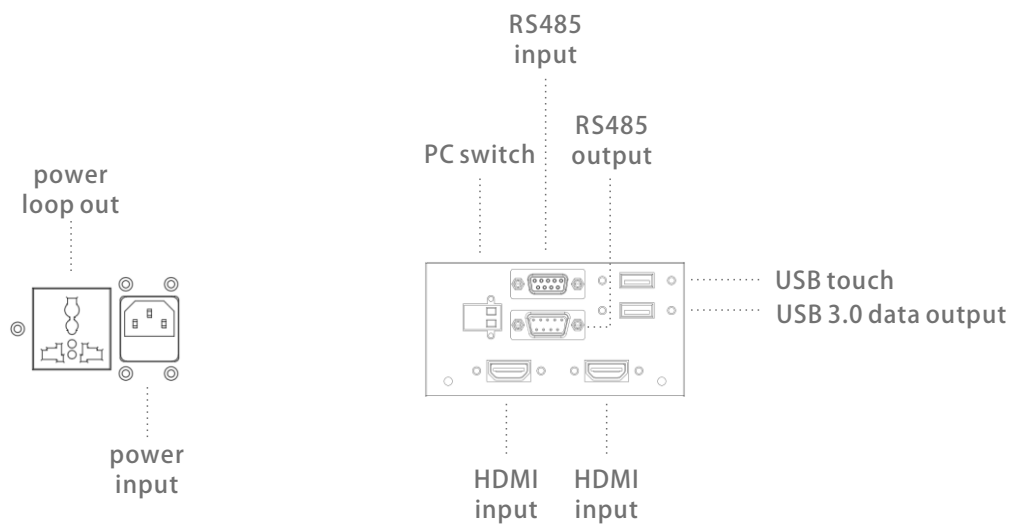
*Above specifications are subject to change without prior notice,
explanation right reserved.*



Cover plate



Connectors on the housing

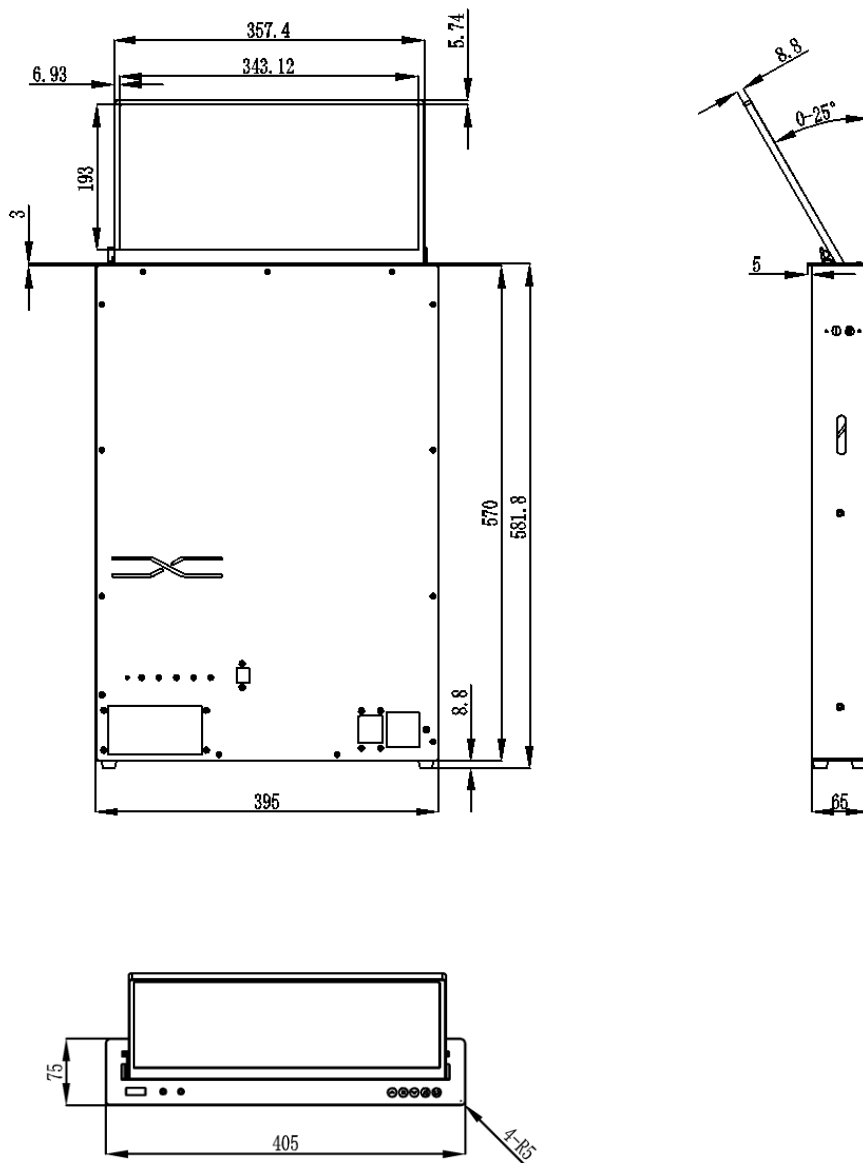


Warranty

1 year by default, effective from delivery date
price increase 3% when extend to 2years
price increase 5% when extend to 3years
price increase 10% when extend to 5years



Dimensions



Above dimensions for reference and subject to change, please double confirm.



Control codes

Hexadecimal control demand codes, RS485 protocol
Control port definition: 1 for 485+ ; 2 for 485- ; 5 for grounding

Baud rate: 4800
Data bit: 8
Parity bit: NONE
Stop bit: 1

When control all the units, no need to reset ID for each device, please use below codes

| | |
|-------------|----------------------------|
| rise all | FF AC E1 FF 00 00 DD 01 DC |
| stop all | FF AC E1 FF 00 00 CD 01 CC |
| descend all | FF AC E1 FF 00 00 ED 01 EC |

During central control programming, please send below codes by keep pressing without
break tilt forward for all FF AC E1 FF 00 00 1D 01 1C
tilt backward for all FF AC E1 FF 00 00 2D 01 2C

When control the units in groups(15 max.), use below codes after deviding the units into several groups

| | |
|---------------|----------------------------|
| group #1 | |
| rise | FF AC E1 E1 00 00 DD 01 BE |
| stop | FF AC E1 E1 00 00 CD 01 AE |
| descend | FF AC E1 E1 00 00 ED 01 CE |
| tilt forward | FF AC E1 E1 00 00 1D 00 FE |
| tilt backward | FF AC E1 E1 00 00 2D 01 0E |

| | |
|---------------|----------------------------|
| group #2 | |
| rise | FF AC E1 E2 00 00 DD 01 BF |
| stop | FF AC E1 E2 00 00 CD 01 AF |
| descend | FF AC E1 E2 00 00 ED 01 CF |
| tilt forward | FF AC E1 E2 00 00 1D 00 FF |
| tilt backward | FF AC E1 E2 00 00 2D 01 0F |

| | |
|---------------|----------------------------|
| group #3 | |
| rise | FF AC E1 E3 00 00 DD 01 C0 |
| stop | FF AC E1 E3 00 00 CD 01 B0 |
| descend | FF AC E1 E3 00 00 ED 01 D0 |
| tilt forward | FF AC E1 E3 00 00 1D 01 00 |
| tilt backward | FF AC E1 E3 00 00 2D 01 10 |

| | |
|---------------|----------------------------|
| group #4 | |
| rise | FF AC E1 E4 00 00 DD 01 C1 |
| stop | FF AC E1 E4 00 00 CD 01 B1 |
| descend | FF AC E1 E4 00 00 ED 01 D1 |
| tilt forward | FF AC E1 E4 00 00 1D 01 01 |
| tilt backward | FF AC E1 E4 00 00 2D 01 11 |